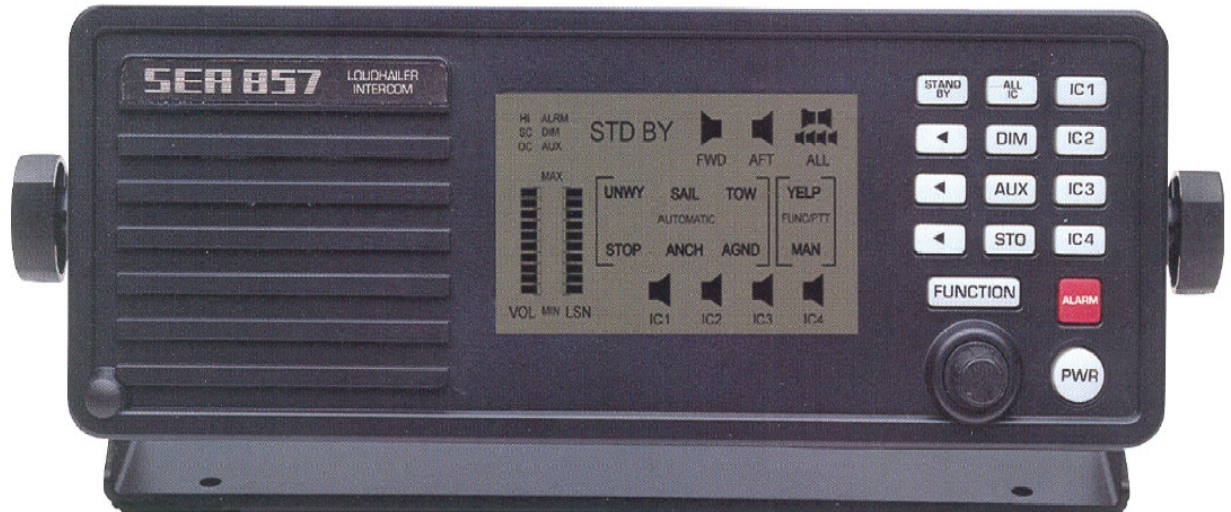


SEA 857

60W Loudhailer/Intercom



Following the tradition of providing quality, high performance communications equipment to fill every mariner's needs, SEA is proud to announce the **SEA 857 Loudhailer/Intercom**.

Offering a full 60 watts of audio power, the SEA 857 provides the ability to project voice and fog horn louder and farther in most any condition.

Eight internationally accepted warning signals can be selected for automatic operation for a variety of different maritime situations alerting nearby vessels of your presence and status in low visibility conditions.

Between warning signals when in the automatic modes, an automatic listen function allows you to hear faint sounds from oncoming boats, navigation buoys, or distant voices.

The SEA 857 has the capability to connect up to four intercom stations. This allows 2-way communication between the master station and a specific remote station or all remote stations. The intercom operation remains fully functional even while broadcasting automatic warning signals, providing continuous, ship-wide lines of communication.

The custom LCD display keeps you informed of the loudhailer status and the 857's uncluttered layout and intuitive operation are designed for ease of operation.

Both the display and keypad have adjustable backlighting. An auxiliary audio input allows transmission of music or other external audio signals to the intercom speakers, external horns, or both.

The alarm mode allows the hailer to be connected to a switch, that when closed will sound an alarm (yelp, horn, etc.). The SEA 857 will even tell you if a hailing horn or connection is defective.

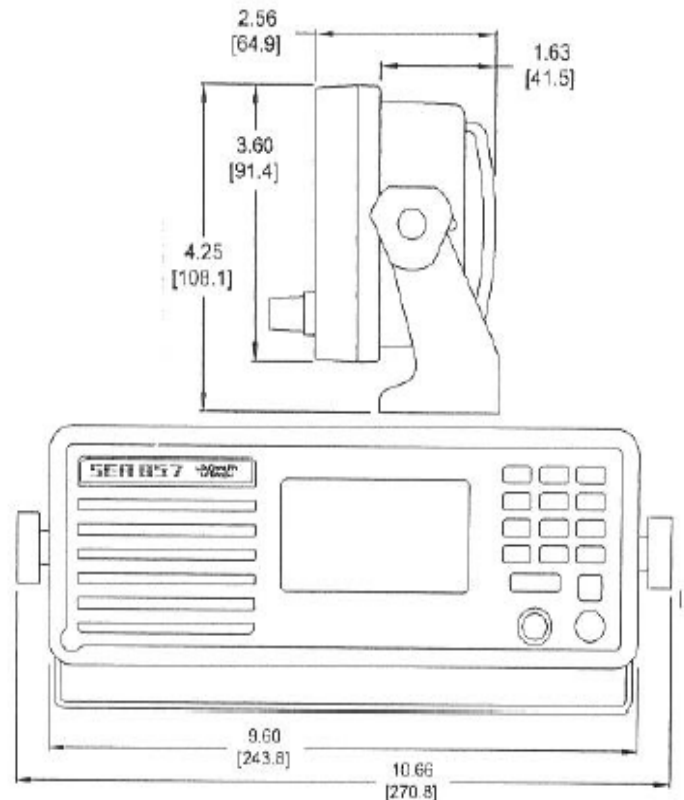
- Full 60 watts of audio power,
- 8 automatic warning signals,
- Hail, listen and intercom functions,
- Alarm function,
- Console mate to the SEA 157 VHF and SEA 235 (235R) SSB Radiotelephones,
- Weatherproof construction,
- Backlit keypad and LCD display,
- Auxiliary audio input,
- Alarm Function.

SEA 857

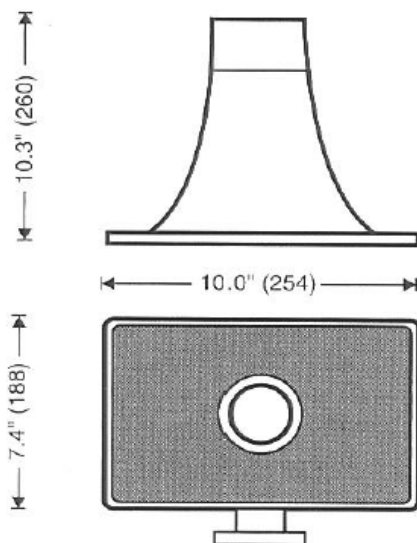
SPECIFICATION

Available For Signals	
Power Board Underway.....	UNWY Sail, Fishing, or Towboat
Underway.....	Sail
Vessel under tow	Tow
Vessel stopped	Stop
At anchor.....	Anchor
Aground	Agnd
Manual Yelp	Yelp
Manual Horn	Horn
Output Power	
Hailer.....	60 Watts @ 10% distortion
Intercom.....	4.5 Watts < 10% distortion
External Speaker	4.5 Watts < 10% distortion
Internal Speaker.....	2.5 Watts < 10% distortion
Input	
Microphone Impedance	600 Ohm
Auxiliary Impedance.....	10 k Ohm
Microphone Sensitivity.....	-71dB +/- 3dB (0dB=1V/μBar)
Auxiliary Sensitivity	0dB +/- 3dB (@ 1 kHz)
Frequency Response	
Hail Mode.....	100Hz-8kHz 3dB
Listen Mode	100Hz-8kHz 3dB
AUX Mode.....	100Hz-20kHz 3dB
Horn Frequency	
500Hz +/- 50Hz	
Distortion Factor	
Hail Mode.....	<10% (1kHz 30W)
Listen Mode	<1% (1kHz 2.5W)
Signal to Noise	
Hail Mode.....	>60dB (@ 1kHz)
Listen Mode	>60dB (@ 1kHz)
AUX Mode.....	>60dB (@ 1kHz)
Output Impedance	
Hail Speaker	8 Ohm
Intercom Speaker.....	8 Ohm
External Speaker	8 Ohm
Power Supply	
Supply Voltage.....	13.6V DC
Current Consumption.....	6A (at 60 Watts)
Standby Current.....	40 mA

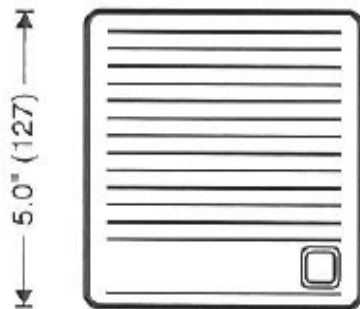
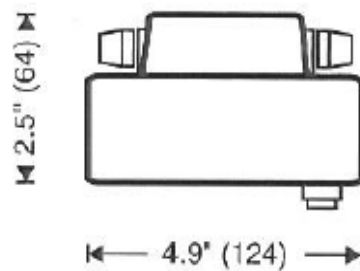
Dimensions in .(mm)



SEA 857
3 lbs (1.4 kg)



SPE-8000-01 Horn
6.0 lbs. (2.7 kg)



INT 8000 Intercom Station
1.4 lbs. (.64 kg)